

# Cypress Lighting Technologies



## LED Turtle Friendly Corn 80W

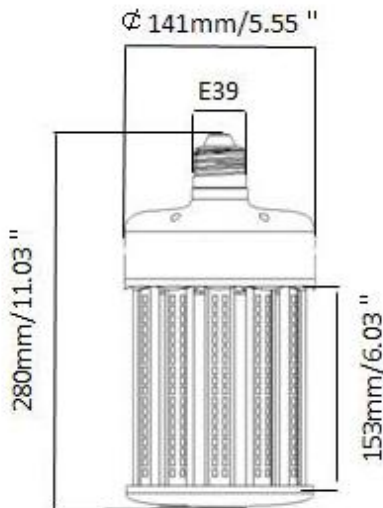
### Models:

CL-80W-CL-T AC100-277V 600nm-605nm Amber Color

### Product Features:

- ◇ IP64 rated, dustproof, insect proof
- ◇ No Fan design, internal driver, aluminum driver box, heat-conducting glue covered driver
- ◇ With a IC temperature control inside, also no stroboflash
- ◇ Can be used in fully sealed fixture
- ◇ Certificate: UL, cUL, CE, RoHS
- ◇ 50000 hours lifespan, 5 years warranty

### Dimensions



### Wildlife Lighting Certification

Number: 2018-022



<p><b>Omnidirectional</b></p> <p>360° Illumination</p>	<p><b>Suitable</b></p> <p>For Enclosed Luminaires</p>	<p><b>Solid State</b></p> <p>Vibration and Shock Resistant</p>	<p><b>Reliability</b></p> <p>LM-80 Tested ISTMT Tested</p>	<p><b>Lumen Efficacy</b></p> <p>140 lpw LM-79 Tested</p>	<p><b>Warranty</b></p> <p>5 years</p> <p>Safe and Reliable</p>	<p><b>Sustainability</b></p> <p>Environmentally Friendly</p>
--------------------------------------------------------	-------------------------------------------------------	----------------------------------------------------------------	----------------------------------------------------------------	--------------------------------------------------------------	----------------------------------------------------------------	--------------------------------------------------------------

### Cypress Lighting Technologies, LLC

Tel: 985-817-9100  
www.cypresslightingtech.com

Skype: cypresslightingtech  
Email: info@cypresslightingtech.com

PO Box 912  
Robert, Louisiana 70455

## Technical Specifications

<b>Model</b>	<b>CL-80W-CL-T</b>
<b>Rate Power</b>	<b>80W±5%</b>
<b>Input Voltage</b>	<b>AC100-277V 50/60Hz</b>
<b>Light Color</b>	<b>Amber Color</b>
<b>Wavelength</b>	<b>600nm-605nm</b>
<b>Power Factor</b>	<b>&gt;0.9</b>
<b>Lumens</b>	<b>1450lm±5%</b>
<b>Lighting Source</b>	<b>LED SMD5730</b>
<b>Operating Temp.</b>	<b>-20~45°C</b>
<b>Mounting</b>	<b>E39/E40</b>
<b>Rated Life</b>	<b>Up to 50,000 Hrs.</b>
<b>LED LM80</b>	<b>Yes</b>

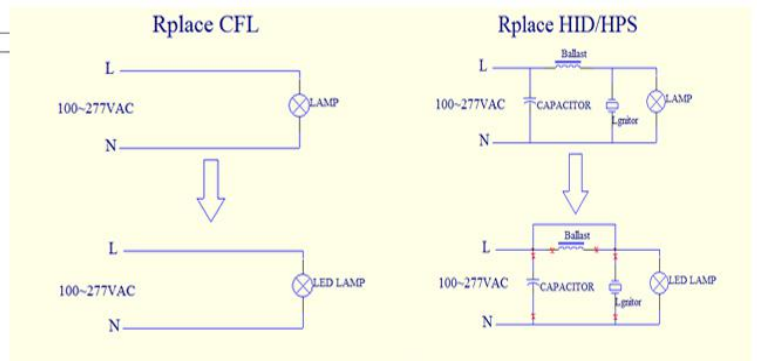
## Applications



## Installations



Street Lighting / Acorn



## Packing Details

<b>Pack Quantity</b>	<b>8PCS</b>
<b>Net Weight Per CTN</b>	<b>3.3lbs/1500g</b>
<b>Gross Weight Per CTN</b>	<b>36.3lbs/16.5kg</b>
<b>Inner Box Size</b>	<b>6.5" x 6.5" x 12.2"</b>
<b>Master Carton Size</b>	<b>27.5" x 15" x 13.4"</b>

